

Smart Vibration Switch

سوییچ لرزشی هوشمند



سوییچ لرزشی هوشمند مدل V-101 محصول طراحی و ساخته شده توسط شرکت فنی مهندسی سپهر الکترونیک آرمان می باشد. مشخصات عمومی این محصول بشرح زیر است:

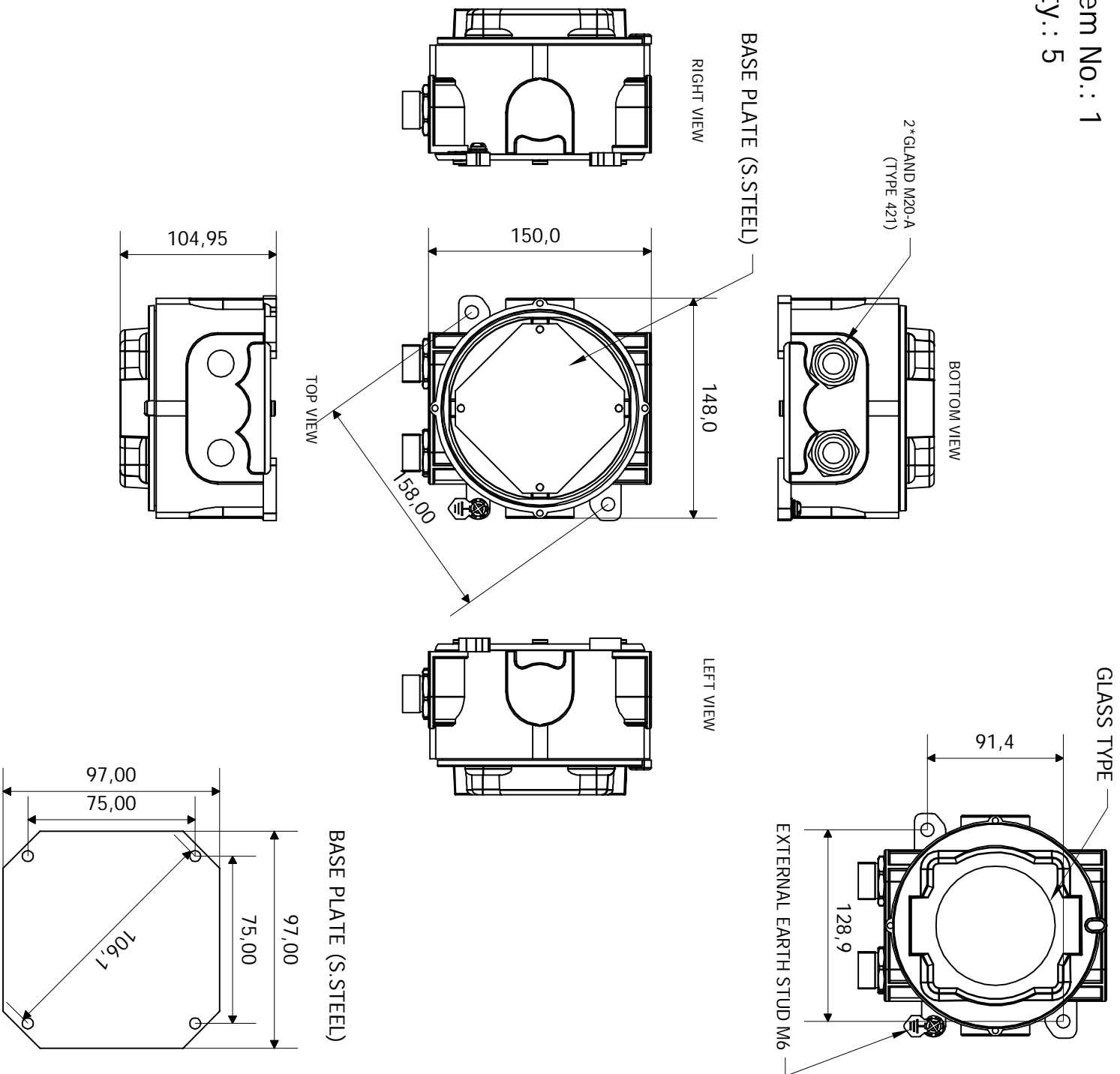
<ul style="list-style-type: none">• Setpoints adjustment for alarm and warning level separately	<ul style="list-style-type: none">• قابلیت تنظیم سطح حساسیت هشدار و آلام بصورت جداگانه
<ul style="list-style-type: none">• 4-20 mA output signal for vibration monitoring	<ul style="list-style-type: none">• سیگنال خروجی 4-20mA
<ul style="list-style-type: none">• 24-VDC and 220-VAC power	<ul style="list-style-type: none">• تغذیه برق 24-VDC و 220-VAC
<ul style="list-style-type: none">• Adjustable time delay	<ul style="list-style-type: none">• تاخیر زمانی قابل تنظیم
<ul style="list-style-type: none">• Explosion proof	<ul style="list-style-type: none">• قابل نصب در مناطق مستعد انفجار
<ul style="list-style-type: none">• Remote Reset Push Button	<ul style="list-style-type: none">• مجهز به دکمه ریست از راه دور
<ul style="list-style-type: none">• Wireless communication support	<ul style="list-style-type: none">• قابلیت ارتباط بیسیم



مشخصات فنی

Specifications	
Model No	V-101
Performance	
Measurement Range	0 to 16 g(m/S ²)
Frequency Range	2 to 1000 Hz
Threshold Set Point	10 to 100% FS
Relay Time Delay	0 to 60 Sec
Start-up Delay	0 to 60 Sec
Relay Action	Latching or Non-Latching
Input	Two Digital input (24-VDC)
Output	4-20 mA , 2 Relays
Environmental	
Operating Temperature Range	-30 °C to +۸5 °C
Enclosure Rating	Ex d IIC T6 & IP 66
Hazardous Area Approval	Zone 1 & 2
Electrical	
Power Supply Requirement	24-VDC , 230-VAC
Current Draw	≤ 150 mA
Integral Sensor Option	Accelerometer
Physical	
Size	150 x 148 x 104 mm (L x W x H)
Weight	1.800 Kg
Housing Material	Aluminum
Internal Electrical Connection	Screw terminals
Wire Size for Screw Terminal	1.5 mm
Enclosure Ports	2 * Gland M20-A
Indicators	
Power-On LED	Green
Alert LED	Blinked Yellow
Alarm LED	Red
Reset Function	Remote/Internal Push Button
Alarm/Warning Setpoints Adjustment	Internal Push Button & wireless

Item No.: 1
Qty.: 5



General Descriptions:
 Product Name/Manufacturer : Ex Junction box LJB2-W
 Application : Junction Box
 Type of Protection : EX d
 Marking :
 ATEX : 2 II GD
 IECEx : Ex d IIC T6
 Ingress Protection : IP 66
 Ambient Temperature of Use : -30°C to +55°C
 Material of Enclosure : (Aluminium)
 Body: Ral 7032, Door: Ral 7043

2	FOR APPROVAL	J.K	P.N	J.K	01/04/2021
1	FOR APPROVAL	M.G	P.N	M.G	08/03/2020
0	FOR APPROVAL	M.G	P.N	M.G	08/01/2020
Rev.:	Description:	Prep. by:	Check. by:	App. by:	Date:



Shomal Engineering and Manufacturing Co.(P)ROOZ
 MASHIN SAZI SHOMAL (P)ROOZ

Customer name:

Project: Junction Box

Inquiry/P.O. number :

S.E.M.C proposal/job order no.: 2932

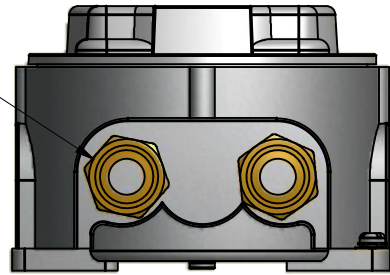
Item no.:

Sheet: of

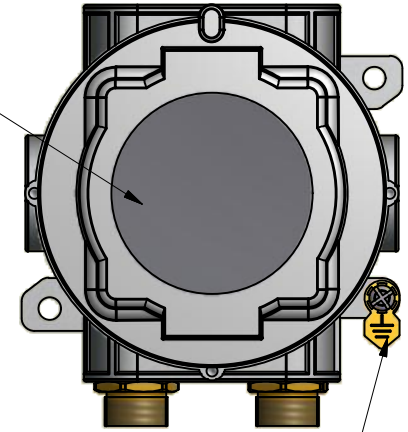
ALL DIMENSIONS ARE IN MILLIMETERS
 TOLERANCE : ±0.1mm

BOTTOM VIEW

2*GLAND M20-A
(TYPE 421)

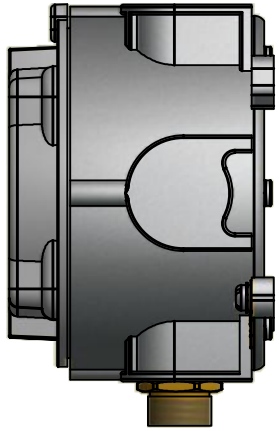


GLASS TYPE

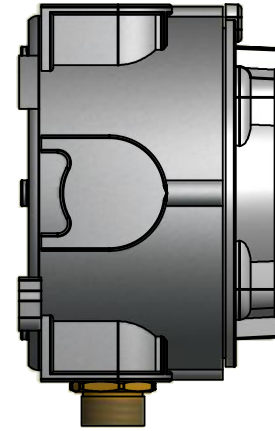


BASE PLATE (S.STEEL)

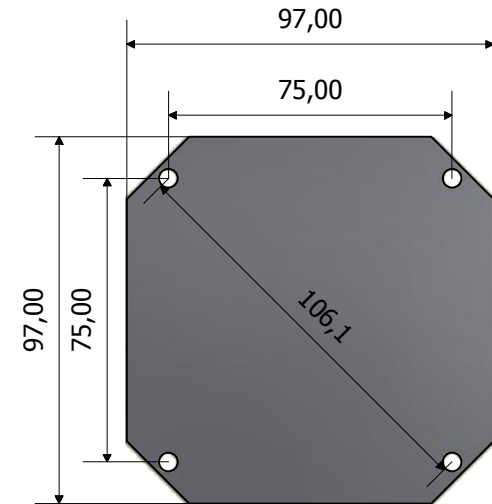
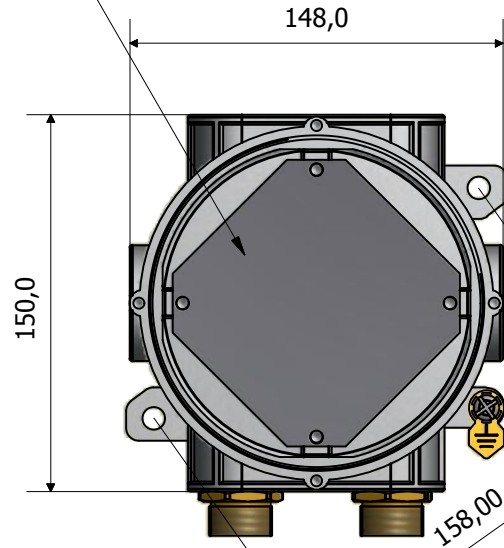
RIGHT VIEW



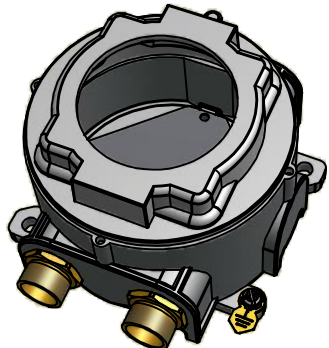
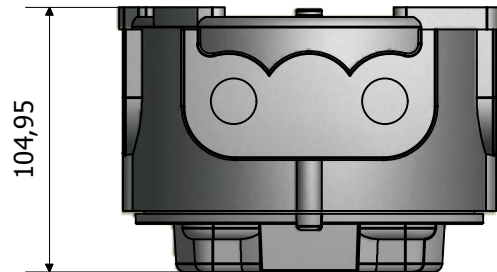
LEFT VIEW



EXTERNAL EARTH STUD M6



TOP VIEW



(1) EU-TYPE EXAMINATION CERTIFICATE



- (2) Equipment and Protective Systems intended for use in Potentially Explosive Atmosphere - **Directive 2014/34/EU**
- (3) EU-Type Examination Certificate Number

TÜV 11 ATEX 7152 X

Issue: 01

- (4) Equipment: **Junction Box type LJB***
- (5) Manufacturer: **MASHIN SAZI SHOMAL PIROOZ**
- (6) Address: **C2 AVE., Salmanshahr Industrial Park, Salmanshahr, Mazandaran, Iran**
- (7) This product and any acceptable variation thereto are specified in the schedule to this certificate and the documents therein referred to.
- (8) The certification body for explosion protection of TÜV Rheinland Industrie Service GmbH, Notified Body No. 0035 in accordance with Article 21 of the Council Directive 2014/34/EU of 26th February 2014, certifies this product which has been found to comply with the Essential Health and Safety Requirements relating to the design and construction of equipment and protective systems intended for use in potentially explosive atmosphere, given in Annex II to the Directive.
- The examination and test results are recorded in the confidential report 557 / Ex 152.01 / 11.
- (9) Compliance with the Essential Health and Safety Requirements, with the exception of those listed in the schedule of this certificate, has been assessed by reference to:

EN 60079-0:2012+A11:2013

EN 60079-1:2014

EN 60079-31:2014

- (10) If the sign "X" is placed after the certificate number, it indicates that the equipment is subject to special conditions for safe use specified in the schedule to this certificate.
- (11) This EU-Type Examination Certificate relates only to the design and specification for construction of the equipment or protective system. It does not cover the process for actual manufacture or supply of the equipment or protective system, for which further requirements of the directive are applicable.

 **II 2G Ex db IIC T6/T5/T4 Gb**
II 2D Ex tb IIIC T85°C/T100°C/T135°C Db IP66/67

TÜV Rheinland certification body for explosion protection

Cologne, 2017-05-24


Dipl.-Ing. Geoffrey Stenzel

This EU-Type Examination Certificate without signature and stamp shall not be valid.
This EU-Type Examination Certificate may be circulated only without alteration. Extracts or alterations are subject to approval by the TÜV Rheinland Industrie Service GmbH TÜV Rheinland Group Am Grauen Stein 51105 Cologne.
Tel. +49 (0) 221 806-0 Fax. + 49 (0) 221 806 114

(13)

Annex

(14)

EU-Type Examination Certificate

TÜV 11 ATEX 7152 X

Issue: 01

(15) Description of equipment

15.1 Equipment and type

Junction Box type LJB1 and type LJB 2

15.2 General product information

The LJB Junction Boxes are manufactured in two sizes, designated as Type LJB1 and LJB2 enclosures.

Both Types use an aluminum screw cover enclosure that is provided with internal and external earthing facilities and its walls have threaded entries that allow external cables to be connected. This enclosure is certified under TÜV 11 ATEX 7154 U.

Internally, the LJB1 may be fitted with baseboard mounted terminals, the LJB2 may be fitted with baseboard mounted terminals, transformers, relays, contactors, electronic devices and fuses, as detailed on the scheduled drawings.

The maximum permitted internal power dissipations (in Watts) for various temperature classes, are as follows:

Designation	T _a = -30°C to +55°C			T _a = -20°C to +40°C		
	T6	T5	T4	T6	T5	T4
LJB 1	10	18	39	18	26	47
LJB 2	15	28	57	28	41	70

Condition of Manufacture

The internally mounted components shall not exceed the bounds of the baseboard and shall not exceed more than 60% of any internal cross-section.

This EU-Type Examination Certificate without signature and official stamp shall not be valid.
 This certificate may be circulated without alteration. Extracts or alterations are subject to approval by:
 Certification body of TÜV Rheinland Industrie Service GmbH

15.3 Details of Change

Standard update of following standards:

EN 60079-0:2009 and EN 61241-0:2006	to	EN 60079-0:2012+A11:2013
EN 60079-1:2007	to	EN 60079-1:2014
EN 61241-1:2004	to	EN 60079-31:2014

The marking is adjusted and the address of the manufacturer is changed to its original registered name.

(16) Test report no. 557 / Ex 152.01 / 11

(17) Special conditions for safe use

1. The cable entry holes shall be fitted with suitably certified cable glands or suitably certified stopping plugs, which are capable of maintaining the IP66/67 rating of the equipment.

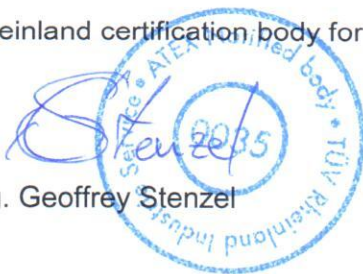
(18) Basic Safety and Health Requirements

Covered by afore mentioned standards.

TÜV Rheinland certification body for explosion protection

Cologne, 2017-05-24

Dipl.-Ing. Geoffrey Stenzel



This EU-Type Examination Certificate without signature and official stamp shall not be valid.
 This certificate may be circulated without alteration. Extracts or alterations are subject to approval by:
 Certification body of TÜV Rheinland Industrie Service GmbH